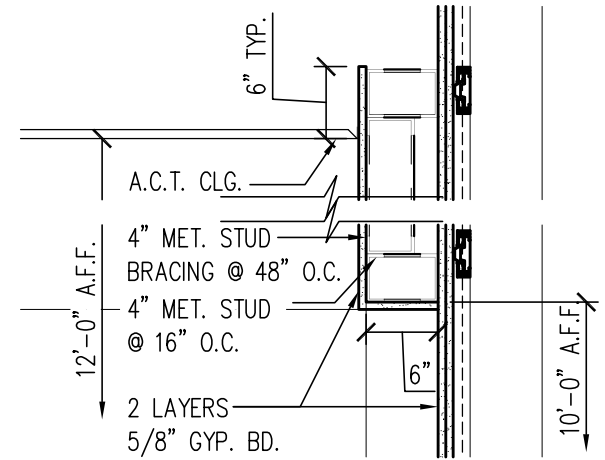


A.C.T. LEGEND

- INDICATES ACOUST. CEILING TILE
- INDICATES EXP. CLG./ROOF DECK, PAINT
- INDICATES GYP. BD. CEILING ON ON 4" MET. STUDS @ 16" O.C. PAINT
- INDICATES ACOUST. CLOUD



BULKHEAD DETAIL

SCALE: 3/4" = 1'-0"

1
A3

BULKHEAD DETAIL

SCALE: 3/4" = 1'-0"

2
A3

CLOUD DETAIL

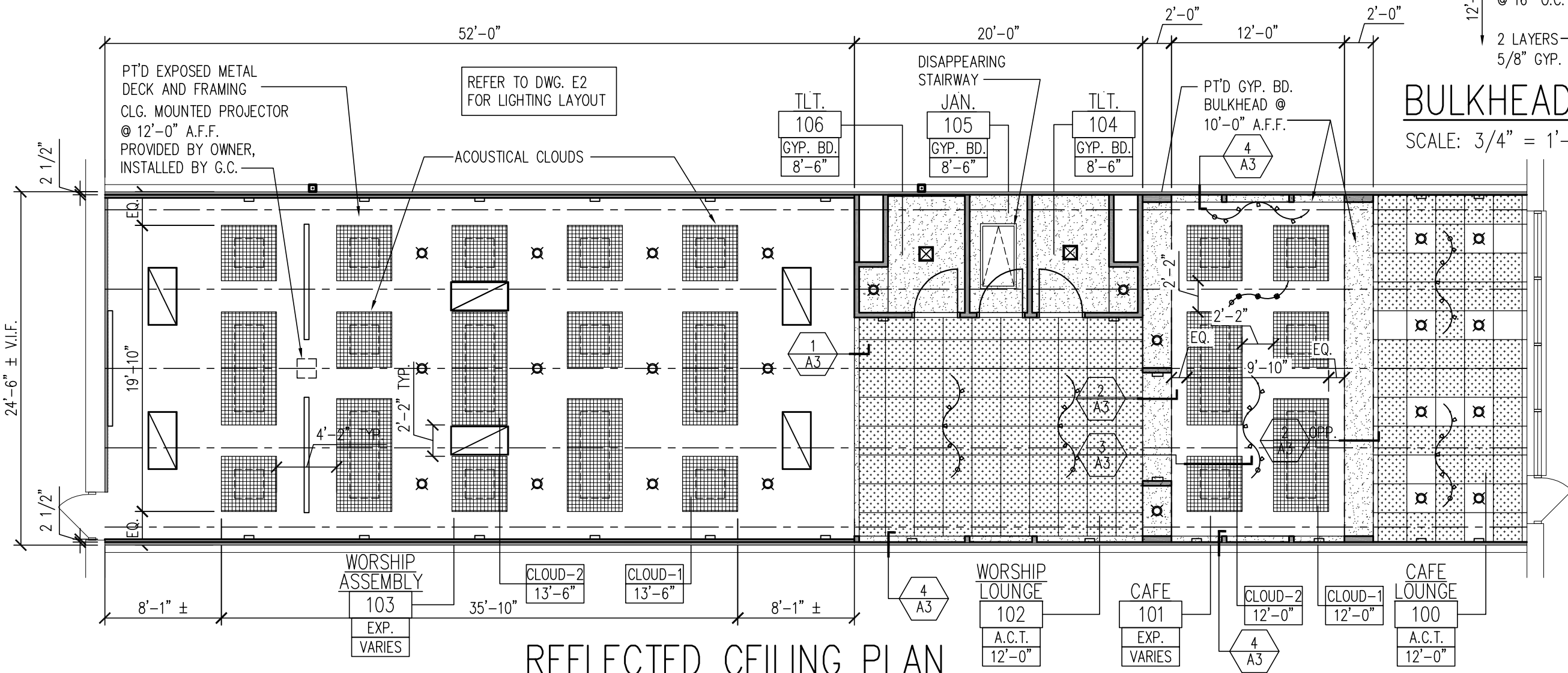
SCALE: 3/4" = 1'-0"

3
A3

BULKHEAD DETAIL

SCALE: 3/4" = 1'-0"

4
A3



REFLECTED CEILING PLAN

SCALE: 1/8" = 1'-0"

ALL DIMENSIONS AND EXISTING CONDITIONS SHALL BE CHECKED AND VERIFIED AT THE SITE BY THE CONTRACTOR.

PROJECT COORDINATOR
JASON MACKEY
PROJECT MANAGER
RAY WRIGHT
PROJECT DESIGNER
BRIAN RUMMEL

OWNER
CROSSPOINT UNITED METHODIST CHURCH
ADDRESS
430 COLONIAL ROAD
HARRISBURG, PA 17109
FAX (717) 545-4760

DRAWING TITLE
REFLECTED CEILING PLAN
SCALE
AS NOTED

REVISIONS
DATE
JANUARY 18, 2011
DRAWN BY
BRR
PROJECT NUMBER

PROJECT TITLE
INTERIOR RENOVATIONS TO
CAFE SOHA
LOCATED AT
257 HERSHEY ROAD
HUMMELSTOWN, PA 17036

DRAWING NUMBER
A3