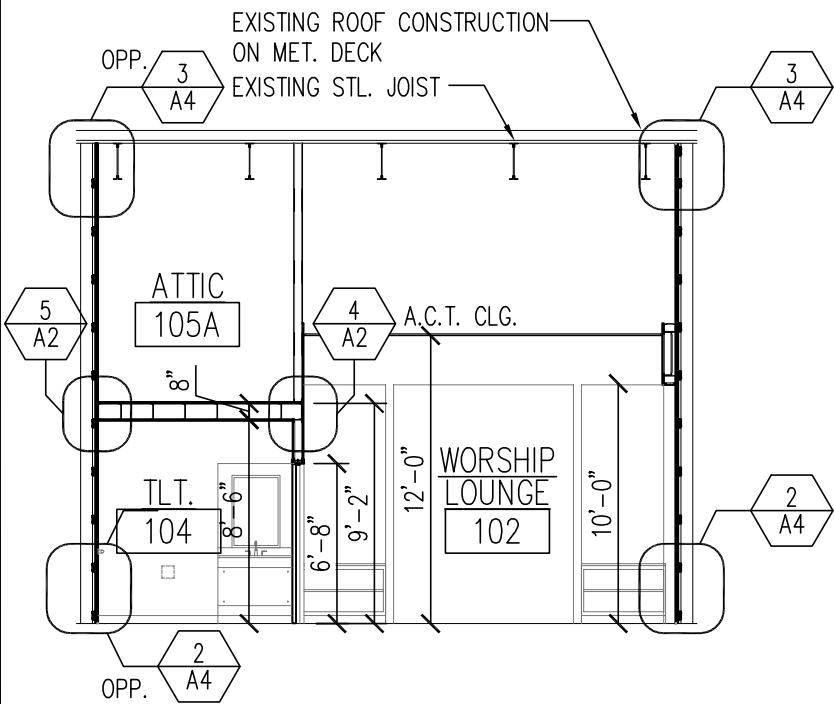
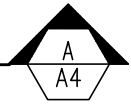


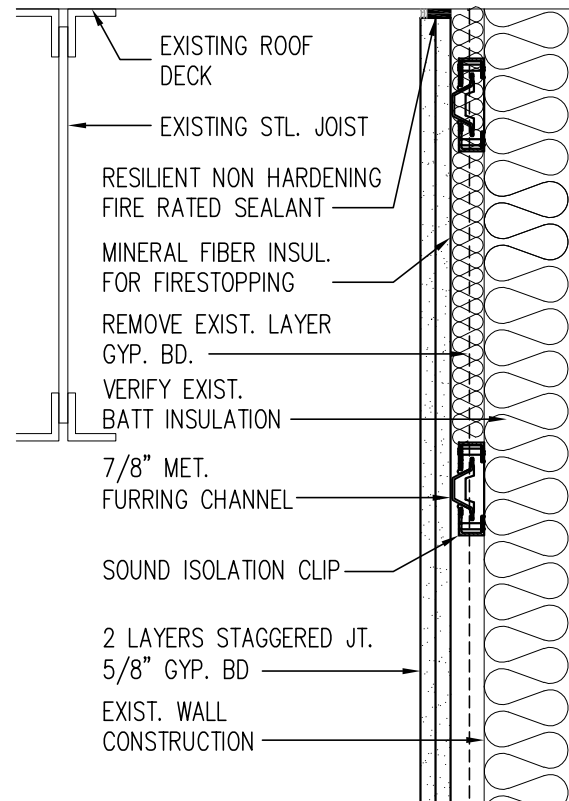
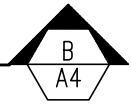
SECTION

SCALE: 1/8" = 1'-0"



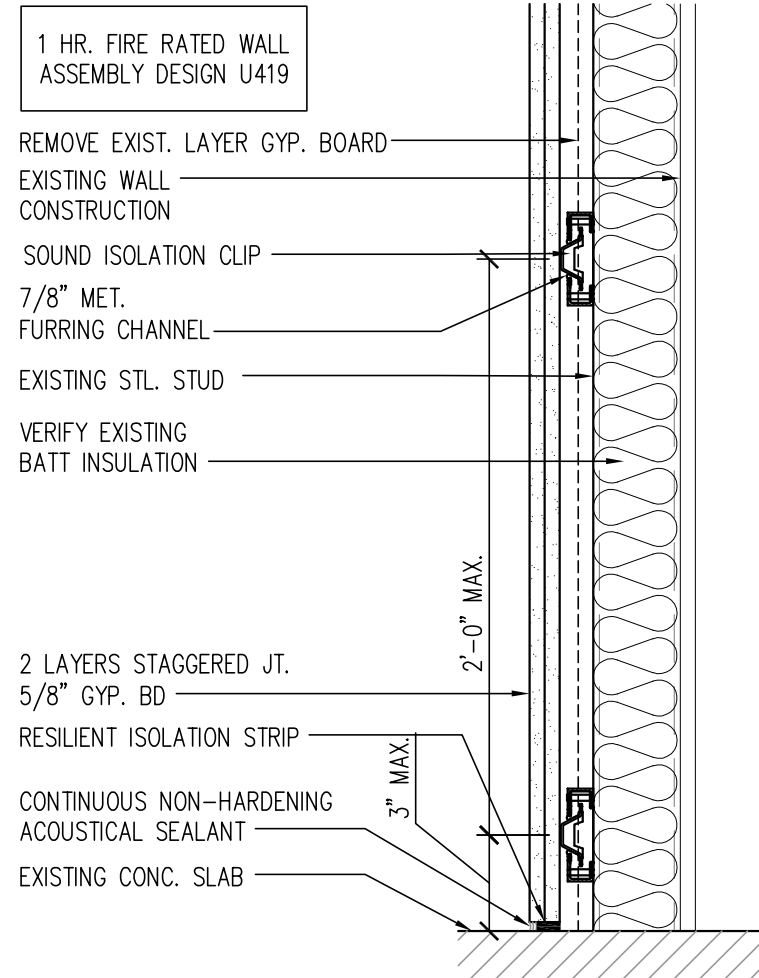
SECTION

SCALE: 1/8" = 1'-0"



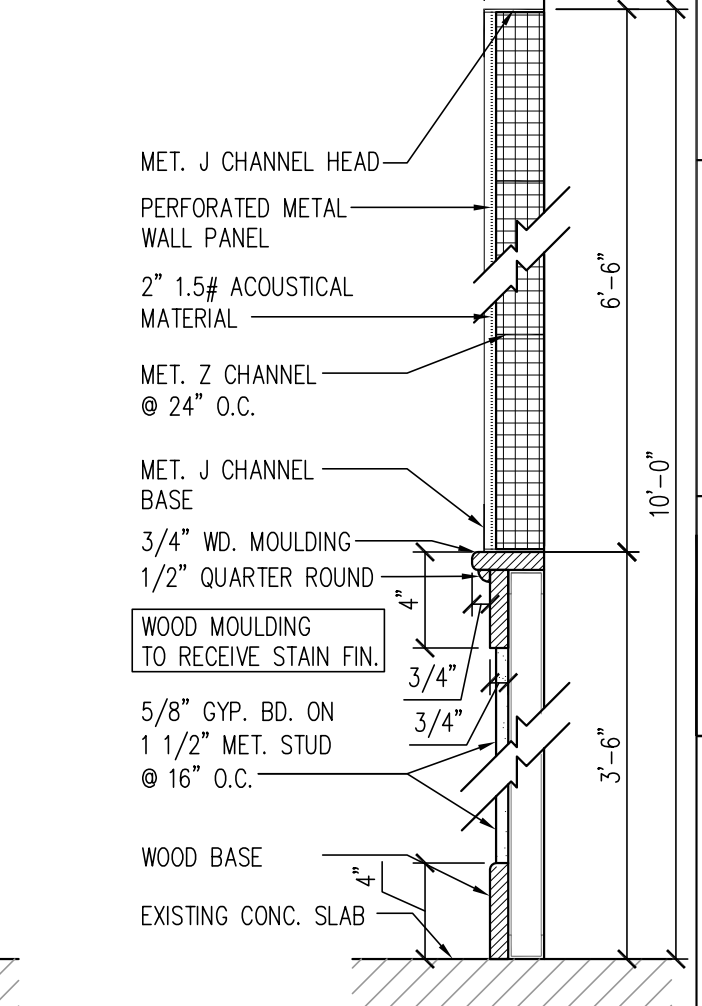
DETAIL

SCALE: 1 1/2" = 1'-0"



DETAIL

SCALE: 1 1/2" = 1'-0"



ACOUST. WALL PANEL DETAIL

SCALE: 1 1/2" = 1'-0"



<p>ALL DIMENSIONS AND EXISTING CONDITIONS SHALL BE CHECKED AND VERIFIED AT THE SITE BY THE CONTRACTOR.</p>	
<p>PROJECT COORDINATOR JASON MACKAY</p> <p>PROJECT MANAGER RAY WRIGHT</p> <p>PROJECT DESIGNER BRIAN RUMMEL</p>	<p>OWNER CROSSPOINT UNITED METHODIST CHURCH</p> <p>ADDRESS 430 COLONIAL ROAD HARRISBURG, PA 17109</p> <p>FAX (717) 545-4760</p>
<p>DRAWING TITLE BUILDING SECTIONS AND DETAILS</p> <p>DATE JANUARY 18, 2011</p> <p>DRAWN BY BRR</p> <p>PROJECT NUMBER</p>	<p>SCALE AS NOTED</p>
<p>PROJECT TITLE INTERIOR RENOVATIONS TO CAFE SOHA</p> <p>LOCATED AT 257 HERSHEY ROAD HUMMELSTOWN, PA 17036</p>	<p>A4</p>