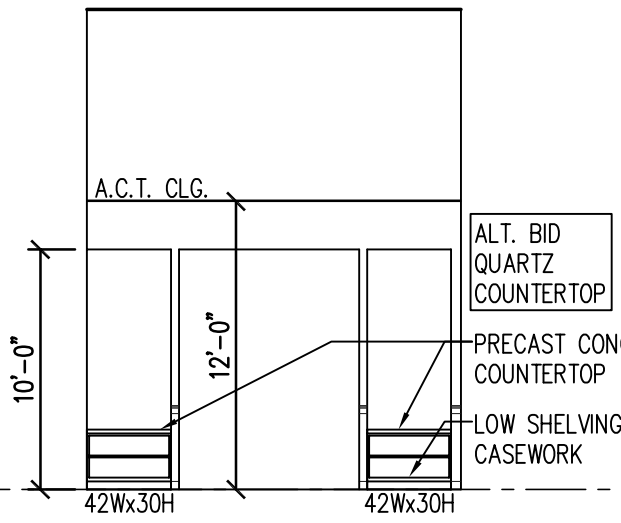
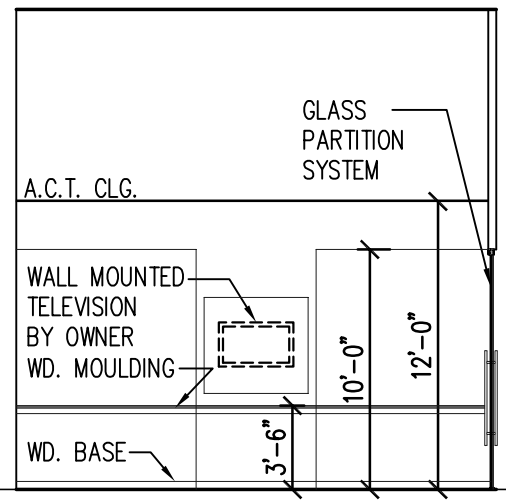


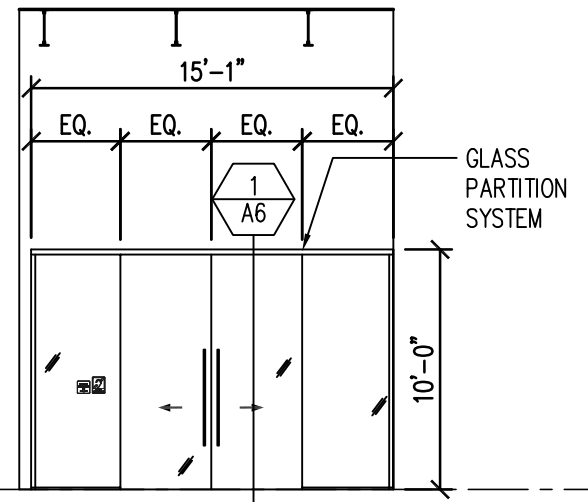
INTERIOR ELEVATION
 SCALE: 1/8" = 1'-0"
 WORSHIP LOUNGE 102



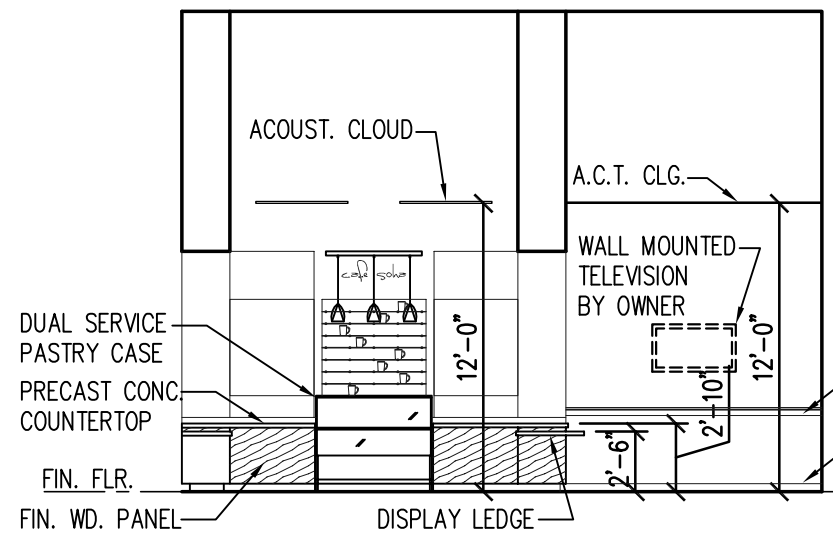
INTERIOR ELEVATION
 SCALE: 1/8" = 1'-0"
 WORSHIP LOUNGE 102



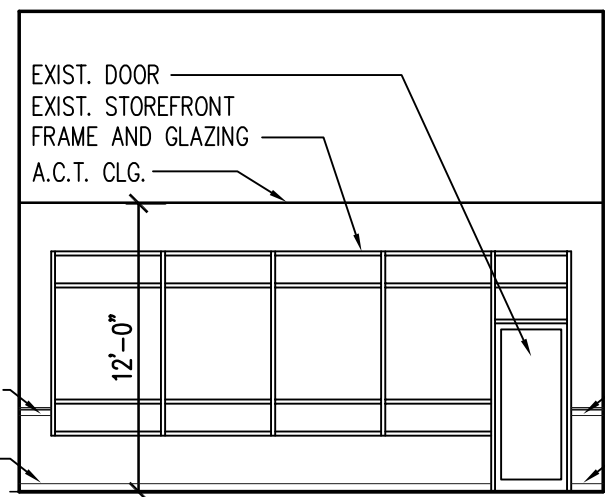
INTERIOR ELEVATION
 SCALE: 1/8" = 1'-0"
 WORSHIP LOUNGE 102



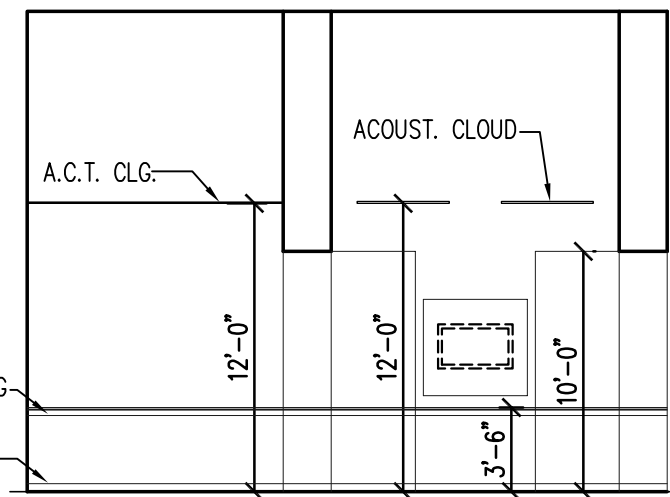
INTERIOR ELEVATION
 SCALE: 1/8" = 1'-0"
 WORSHIP LOUNGE 102



INTERIOR ELEVATION
 SCALE: 1/8" = 1'-0"
 CAFE 101 & CAFE LOUNGE 100



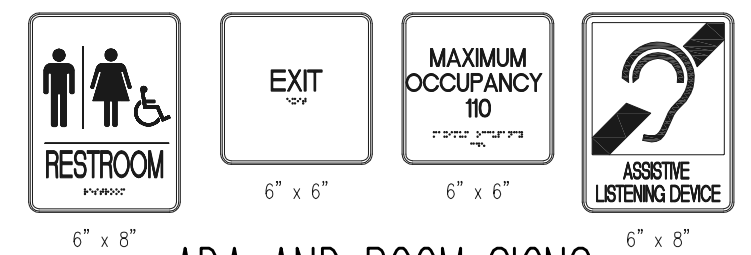
INTERIOR ELEVATION
 SCALE: 1/8" = 1'-0"
 CAFE LOUNGE 100



INTERIOR ELEVATION
 SCALE: 1/8" = 1'-0"
 CAFE 101 & CAFE LOUNGE 100

GENERAL NOTES:

- BUILDING SIGNAGE TO COMPLY WITH ICC/ANSI A117.1-2003 CHAPTER 7
- VERIFY TELEVISION MOUNTING HTS. WITH OWNER



ADA AND ROOM SIGNS

ALL DIMENSIONS AND EXISTING CONDITIONS SHALL BE CHECKED AND VERIFIED AT THE SITE BY THE CONTRACTOR.

PROJECT COORDINATOR
 JASON MACKAY
 PROJECT MANAGER
 RAY WRIGHT
 PROJECT DESIGNER
 BRIAN RUMMEL

CROSSPOINT UNITED METHODIST CHURCH
 ADDRESS
 430 COLONIAL ROAD
 HARRISBURG, PA 17109
 FAX (717) 545-4760

CAFE AND LOUNGE INTERIOR ELEVATIONS
 AS NOTED

REVISIONS
 DATE
 JANUARY 18, 2011
 DRAWN BY
 BRR
 PROJECT NUMBER

PROJECT TITLE
 INTERIOR RENOVATIONS TO
CAFE SOHA
 LOCATED AT
 257 HERSHEY ROAD
 HUMMELSTOWN, PA 17036

DRAWING NUMBER
A7